



HOT AIR STOP – BALCONY DOOR SHE03AIRSTPVT

Installed in a few minutes

Step 1 - Apply the self-adhesive Velcro tape to the inside of your door frame.

Step 2 - Attach the door seal to the Velcro strip.

Step 3 - Open the zipper and attach your air conditioning hose to the door seal.

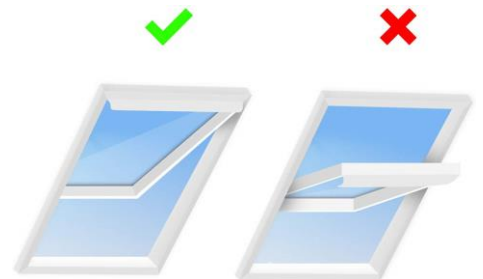
Step 4 - Close the zipper firmly around the hose.



The energy-saving mounting solution for air conditioners.
The door seal is fixed with the supplied Velcro tape.
The door seal can be removed without leaving any residue at any time.



Water Repellent Material



Also suitable for roof windows

Österreichische
Marke



HOT AIR STOP – BALCONY DOOR SHE03AIRSTPVT

Application

The Hot Air Stop is suitable for all doors up to a circumference of 560 cm.

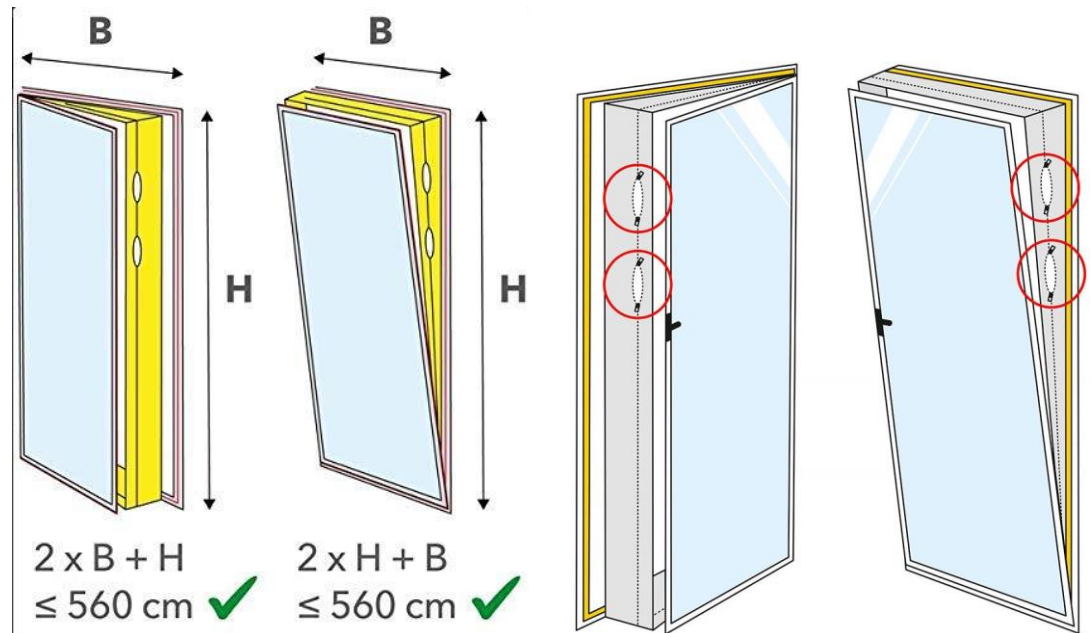
1x Hot Air Stop
1x Velcro Tape

Warranty period

2 years

Österreichische
Marke

Dimensions



Suitable for a door circumference of 560cm

2 zipper outlets

Technical data

- Suitable for doors with a maximum circumference of 560cm.
- The door seal for air conditioners is a practical helper and can be attached to the balcony door in a few easy steps. Simply stick the supplied adhesive tape into the door frame, attach the door seal to the door frame and you are done.
- Sealing the door increases the cooling capacity of the air conditioner. This reduces the general energy consumption because the room is cooled faster.
- The zipper system allows you to continue to use the door comfortably even when the air conditioner is on. At the same time, however, it offers perfect protection against insects (like a fly screen) and also prevents moisture from penetrating.
- Due to the two zipper openings, the door seal is suitable for all portable air conditioners regardless of the manufacturer.
- Easy installation without drilling without additional tools.
- The material is durable, UV resistant, water repellent and washable at 40°C.
- EAN: 9005665024324

SCHUSS
HOME ELECTRONIC

Scheringgasse 3
1140 Wien
Telefon +43 1 970 21-0
www.she.at

